

ALPHA HMK 102 B
SERIES HMK 102 S
BACKHOE LOADER



HIDROMEK®

ALPHA DESIGNED TO MEET
DIFFERENT NEEDS





ALPHA

RESPONSE TO YOUR EXPECTATIONS ALPHA SERIES.

A fuel efficient machine which provides maximum work production . . .

Comfort and performance under the toughest conditions . . .

High efficiency for the operator even in the longest working hours . . .

ALPHA SERIES IS JUST FOR YOU!

ALPHA Series packages that shall response your different needs by their low fuel consumption and high second hand value . . .

Eligible investment cost . . .

High operator comfort . . .

High comfort and performance for intensive and long working hours . . .

* Specifications and equipment may vary depending on packages.



Engine

The ALPHA Series engine is one of the most economical and durable in its class. The turbocharged, 4.400 cm³ engine maintains high torque even at low rpms.

6-Forward 3-Reverse Fully-Automatic Transmission

6-forward 3-reverse fully automatic transmission used in the ALPHA Series allows smooth driving. The optional torque converter lock (lock-up) provides fuel economy which is automatically engaged in the 5th and 6th gear.

MSS (Motion Stabilizer System)

The optional MSS (Motion Stabilizer System) works as a shock absorber on the loader lift cylinders. By damping the shock that occurs when a full loader bucket is used on rough terrain, it provides a comfortable ride that is not only smooth but also fast as well.

Heavy-Duty Type Axles

Heavy-Duty Type Axles have been used in the ALPHA Series in scope of both load carriage and durability.

HIGH EFFICIENCY, SMART CHOICE!

Load Sensitive Piston Type Hydraulic Pump / Flowshare

The optional piston type hydraulic pump provides load sensitive hydraulic power as much as the operator needs with precise control independently from the amount of the load and engine rpm. It works with efficiency up to %95.

The optional FLOWSHARING valves provides excellent hydraulic control independently from the amount of the load and operator's skills for various field works such as pipe lying and channel trenching.

It allows simultaneous boom, arm and bucket motions even in the low rpms and provides the opportunity of working in noise restricted areas such as hospital, school and city center.

Flow Charging Valves

As an optional equipment, flow charging valves with extra regeneration feature applied on the boom and arm lines provide more efficient hydraulic power and prevent cavitation.

LSD: Limited-Slip Differential and Differential Lock

The highest traction force is provided with LSD (limited slip differential) acting on front axle and differential lock on rear axle to prevent skidding on stone gravel, mud or icy surfaces. Thus, period of tire replacement, work cycle and fuel efficiency have been improved.

MORE SPACIOUS, MORE COMFORTABLE . . .



CABIN INTERIOR

- Adjustable Steering Wheel
- Pool Type Mat
- Detachable Lids
- Advanced Heating and Cooling System (A/C) (Optional)
- Cool - Box (Optional)
- Roof Shelf
- Ergonomic Controllers and Handbrake
- MP3 Player
- Ergonomic and Aesthetic Breaker Pedal
- Monolithic Rear Window
- Mechanical Boom Lock
- Cabin Construction with FOPS and ROPS Certificate



Conventional Excavation Position

In conventional backhoe loader cabins, while the operator is controlling the machine in the excavation position, he has to turn his head by 90° to the left side in order to check the gauges.



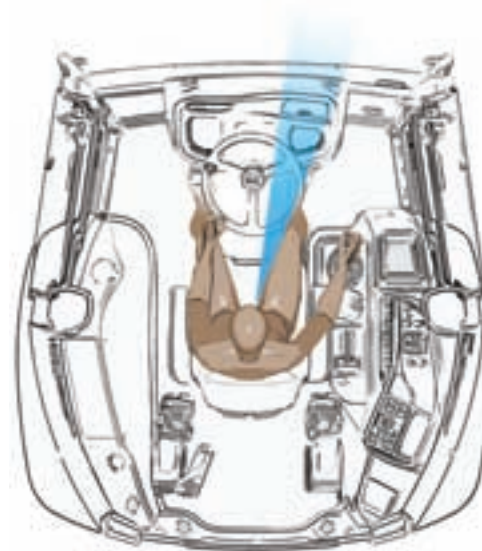
ALPHA Excavating Position

In ALPHA Series, operator may easily check the gauges through LCD screen put on the rear area while he is in the excavation position. This working position allows operator to work for longer periods without suffering from neck and back aches.



Conventional Loading Position

In conventional backhoe loader cabins, while the operator is controlling the machine in the loading position, he has to turn his head by 90° to the right side in order to check the gauges.



ALPHA Loading Position

In ALPHA Series, operator may easily check the gauges through LCD screen put on the front area while he is sitting in the loading position. Thus, the operator may easily check the gauges without taking his eyes off the driving direction. This working position allows operator to work for longer periods without suffering from neck and back aches.

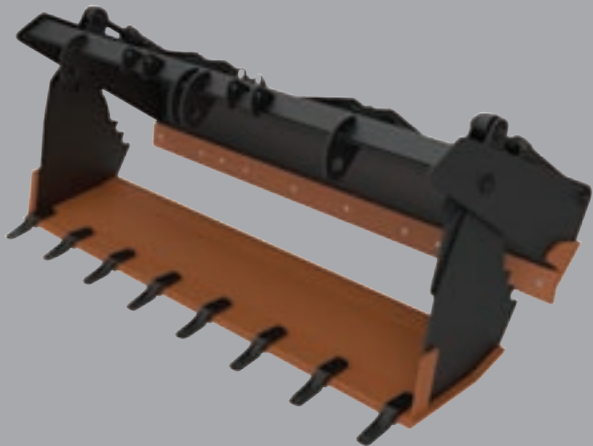




LEAVE TOUGH WORKS TO ALPHA!

ALPHA Series for the toughest working conditions

One of the characteristics that makes the ALPHA Series different is the superior performance of front loader. Thanks to the bucket and arm breakout force of ALPHA Series, the machine drive the load without being stressed. Boom construction intended for heavy conditions has been designed for durability for long years. 6-in-1 loading bucket with 1,1 m³ capacity provides advanced level of loading performance. Thanks to the bucket geometry that is designed carefully, effective use of bucket capacity is obtained. Settling blade that has been fixed with bolted system may be used double-sided by easy exchange by the operator and without the need of service. Hinged joint on the cylinders of claw opening and closing prevents damages on the cylinders when lateral loads are exposed to during driving the loads. Thanks to the proportional control button on the front control lever, easy use is provided to the operator, claw speed and angle can easily be adjusted.



TIPSHIFT (Forward-Reverse Direction Control)

Forward-reverse direction control on front loader control lever **TIPSHIFT** allows operator to make quicker manoeuvre during loading operation. It is provided so that the operator can make these controls easily and concentrate on loading process better.

In conventional loading works and manoeuvrability in limited spaces, the operator apply both loader and forward-reverse commands from a single point without losing steering wheel handling by using the **TIPSHIFT** button.

It provides occupational safety and comfort that operator uses it without breaking the contact with steering wheel and loader controller.

All these fine details and innovations have been thought for you to make saving on time and operation costs.





Excavation, Removal or Crushing Works . . .

ALPHA Series excavator group provided and designed for tough geographical and heavy working conditions increases the productivity with its solid construction and optional efficient hydraulic system that provides maximum breakout force even in the low rpms and that has maximum 163 lt. /min oil flow.

Rear joysticks that are optional in ALPHA models allow for easy control in the works such as lifting and lowering that require precision for operators. Joystick consoles that may be adjusted independently from each other provide ergonomic working environment.

Long hours of excavation works become pleasure with ALPHA Series that has wide visibility and ergonomic working environment.

ALPHA Series that has excellent weight distribution and wide stabilizers provides safer excavation opportunity in sloppy lands. Additional hydraulic line that is maintained as standard kit for hydraulic braker and attachment use does not prevent visibility during excavation and is not damaged in deep excavations.

Cushioning system in the excavation cylinder softens the movements at the ends of strokes, absorbs the impacts and prolongs the machine life.

Telescopic arm that has digging depth up to 5.80 m. provides an advantage in deep excavations and the works that require long reach.



What can be more enjoyable than a work running without any problem?



ADJUSTABLE STEERING WHEEL

Ergonomically designed, adjustable steering wheel enables the operator to work during long lasting hours and to control the machine easily without conceding comfort.



FRONT LOADER CONTROL STICK

4 basic functions being used while working in loading position have been gathered on the front control stick. **TIPSHIFT** providing forward-reverse manoeuvre control of the machine, kickdown button to downshifting, RTD (Automatic Return to Dig Button) and claw opening and closing proportional button provide handling from a single point and ease of use.



BACKHOE JOYSTICK CONTROL

An ideal working environment is generated with the backhoe joysticks that are provided in the ALPHA Series backhoe loaders and can be adjusted (optional).



POOL TYPE MAT

Easy cleaning of cabin has been provided with pool-type mat.



STABILIZERS CONTROL JOYSTICKS

They are located in an ideal and ergonomic position that the operator can easily use them.



CONTROL PANEL

The control panel has been designed ergonomically for controls to be used by the operator in a most proper way.





SIDE AND REAR CABIN WINDOWS

Alongside the rear window that can be easily opened monolithically and provides an important ease of use, opening door windows provide an ideal air circulation and a safe driving environment since it is not required to open the door during use.



STORAGE BOXES

The pockets with different size and form on the front and side walls of cabin generate an ideal storage and container areas.



DETACHABLE POCKETS

Washable pockets that have been situated in various points in the ALPHA cabin provide the operator with multiple choices in putting materials.

ADVANCED AIR CONDITIONING SYSTEM

Ventilation vents have been installed in the optimum areas in the cabin for the operator to work more comfortably. Thus, while a comfortable working environment is being provided to the operator, misting on windows is minimized (optional).



COOL-BOX

It provides maintenance of current temperature of beverages put in it as well as that it cools them (optional).



ROOF SHELF / SOUND SYSTEM

While the sound system with mp3 player as a standard equipment, is offering enjoyable environment to the operator, high-capacity ceiling shelves generate an ideal storage opportunity up to 10 kilos.







SmartLink

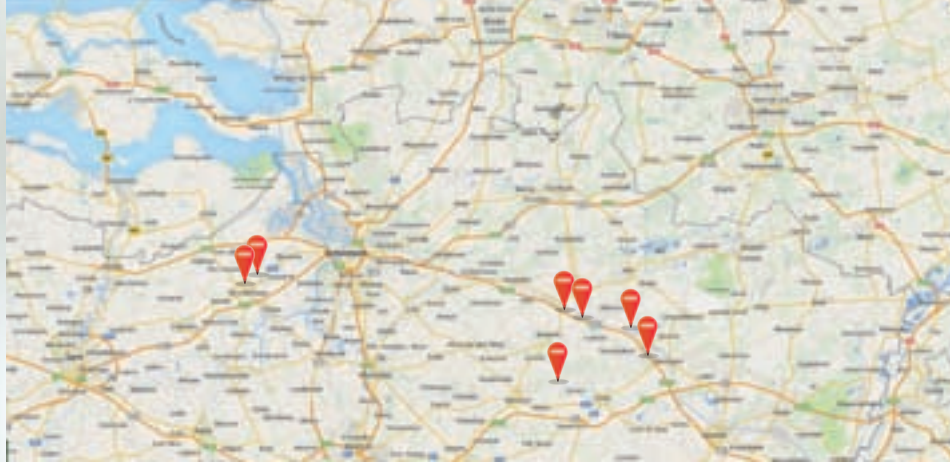
WITH SMARTLINK[®],
EVERYTHING ABOUT YOUR
MACHINE IS ON YOUR DESK
OR IN YOUR POCKET!

Do you wonder where your machine is or where it has worked for the day?
Answers of questions such as which day time periods and for how many hours it has worked can be reached easily now. . .

In the ALPHA Series backhoe loaders equipped with Hidromek SmartLink, there are special functions that can be reached with a single click such as many data and reporting services in relation with machine and its use for individual operators and fleets.

Hidromek SmartLink automatically receives the data in relation with the vehicle, GPS location of it and malfunction codes in vehicle terminals. Thus, it provides fast and effective service support (optional).





ALPHA

Where is my machine now?

How many hours are left for maintenance?

In which hours work has stopped in the day?

Do you need an assistant that draws up reports about the machines?

HIDROMEK®



SAFETY FIRST!

In our ALPHA Series machines developed with our engineering experience of 40 years, multidirectional safety precautions have been taken.

Windows that provide wide visibility angle and working lights, 4 in front and 4 on behind, provide that the operator see outer environment as comfortable as possible while working.

For follow-up of data in relation with machine during drive without being distracted, there is LCD information screen on the front console.

The operator cabin has FOPS (Falling Object Protective Structure) and ROPS (Roll Over Protective Structure) certificates.

Safety belt integrated to the seat protects the position of operator on sloppy lands or during sudden moves and prevents him from losing handling.

In maintenance and access to the engine, safety has been provided with the boom lock integrated to the loader arm cylinder.

While the machine is in the stable operating position, possible accidents have been prevented with security valves on stabilizers (optional).

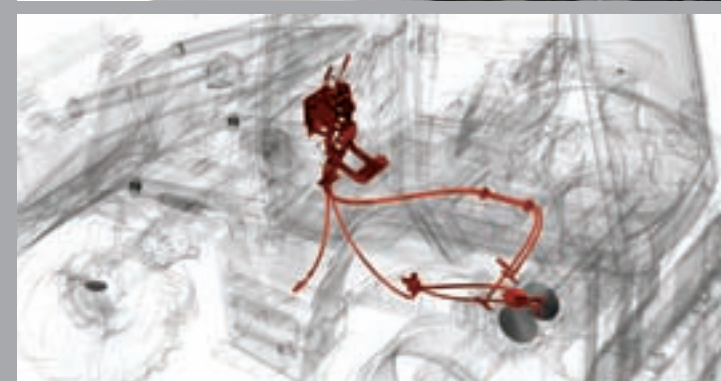
Standard headlight provides that the machine is easily realized in traffic and worksite by the other vehicles.

Details such as wide side steps that have a special surface preventing sliding and large cabin entrance have been thought for safety of the operator.

Mechanical-driven excavator boom-lock offers safe drive by providing stabilization of rear boom while driving.

BRAKE SAFETY

Accumulator used in the braking system prevents braking pedal from hardening even in the extraordinary situations such as there is no hydraulic support or sudden stopping of engine and provides that the machine safely stops with a little pedal force as if the machine is working.





**HİDROMEK
SERVİS**

Magazın Bulvarı No: 1
444 8 485 (HİDROMEK)

Hidromek Satış Servisi
0312 280 87 48

www.hidromek.com.tr

EASY MAINTAINANCE AND SERVICEABILITY

Front hood and side covers have been designed to minimize the time losses in maintenances and services offer multidirectional accessibility.

One of the most important characteristics of ALPHA Series that makes it more superior than its competitors is that hydraulic hoses are neat and their access is easy. This characteristic shortens the service periods and increases the working periods of machines.

The front grill can easily be opened with a key for access to accumulator and radiator group. This characteristic shortens the daily routine maintenance periods.

All of maintenance and service points have been situated to the places that are easy-to-access and also they are at the point where they can easily be reached from the ground level.

Owing to the sectional structure of main control valve, in case of damage, only the damaged part is changed and thus reduces the maintenance costs (optional).

Hydraulic hose lines are protected from being damaged by not being exposed while at work.

Fuse panel has been situated in a way that the operator can easily reach it for maintenance and serviceability.



ENGINE

	Stage III - A / (Tier 3)	Stage III - B / (Tier 4i)
Emission Class	Stage III - A / (Tier 3)	Stage III - B / (Tier 4i)
Brand, Model	PERKINS	PERKINS
Type	1104D - 44TA Diesel Engine	1204E - E44TA Diesel Engine
Number of Cylinders	4 in line	4 in line
Diameter x Stroke	Ø 105 x 127 mm	Ø 105 x 127 mm
Displacement	4.400 cc	4.400 cc
Max. Power	100 HP (74,5 kW) @2200 rpm	100 HP (74,5 kW) @2200 rpm
Max. Torque	410 Nm @1400 rpm	450 Nm @1400 rpm

- Starting kit for cold weather
- Self-cleaning chrome-plated turbo filter (Optional)
- Diesel engine in which the latest technology is used, safe, requires a little maintenance, uses considerably low fuel, with high level of power and torque output, water-cooled, turbo-charged, intercooled

HYDRAULIC SYSTEM

- Simple, reliable and high-performance open type hydraulic system with gear pump of tandem type (standard)
- Closed type hydraulic system with variable displacement piston type pump, renewable flowsharing and valves with regeneration (Flowcharging) (Optional)

	Standard	Optional
Main Pump	2200 rpm	2200 rpm
Flow	90 L/min	163 L/min
Pressure	227 bar	227 bar
Auxiliary Pump	2200 rpm	
Flow	57 L/min	
Pressure	170 bar	

- Antishock and anti-cavitation valves
- In packages with gear pump, electric controlled "Unloader Valve" that unmounts the auxiliary pump and prevents unnecessary power consumption in driving on road or where the operator considers necessary
- Backhoe joysticks designed especially for operator not to be tired, requiring minimum power and installed ergonomically (Optional)
- Hyd. oil cooler ensuring problem free operation in a hot climate
- 10 micron oil filter

BRAKES

Service Brake	• Self-adjusting, multi-disc oil bath type, hydraulically actuated brakes are located in the rear axle and act on 4 wheels
Park Brake	• Hand-lever operated mechanical brake acts on the rear axle differential

WEIGHT

Standard Machine Operation Weight	9.100 kg	9.375 kg
-----------------------------------	----------	----------

TRANSMISSION

- Heavy-duty type automatic transmission
- 6 forward 3 reverse gear
- Electric controlled 2 wheel drive or 4 wheel drive selection
- Torque convertor with 2,38:1 stalling rate
- A neutral circuit allows starting only when the control lever is in neutral position for safety
- Transmission oil cooler
- Torque lock (Lock-up) (Optional)

FILLING CAPACITIES

Engine Oil Pump	8	8,8	L
Engine Cooling System	18,5	22	L
Fuel Tank	140	150	L
Hydraulic Oil Tank	70	70	L
Transmission Oil	16	16	L
Front Axle Differential	9	9	L
Front Axle Hub Reducers	0,85x2	0,85x2	L
Rear Axle Differential	18	18	L

LOADER PERFORMANCE

6-in-1 Bucket Capacity	1,1 m ³
Max. Bucket Breakout Force	7209 kgf
Max. Loading Arm Breakout Force	6515 kgf
Lifting Capacity To Maximum Height	3170 kgf
Maximum Lifting Capacity 7' 4" (2,23 m)	3992 kg
Maximum Lifting Capacity 7' 8" (2,33 m)	3923 kg

BACKHOE PERFORMANCE

	TB (Extended)	TB (Retracted)
Rear Bucket Capacity	0,17 m ³	0,17 m ³
Max. Bucket Breakout Force	6364 kgf	6364 kgf
Max. Dipper Arm Breakout Force	2026 kgf	2867 kgf

DRIVING SPEEDS

In 2200 rpm		
1 st Gear	5,6	km/h
2 nd Gear	8,9	km/h
3 rd Gear	11,4	km/h
4 th Gear	18,1	km/h
5 th Gear	23	km/h
6 th Gear	40	km/h

AXLES

- Heavy-duty-type
- Total 16° oscillation in the front axle
- Planetary (4 gear) outboard type reduction gears
- Equipped with LSD (Limited Slip Differential) optional diffrentail lock for rear axle

ELECTRIC SYSTEM

Voltage	12V
Battery	165 amperes/hour, heavy-duty type
Cranking Motor	3,2 kW
Alternator	85 Amp 100 Amp

STEERING

- Fully hydrostatic, load sensitive
- Soft-Touch steering wheel

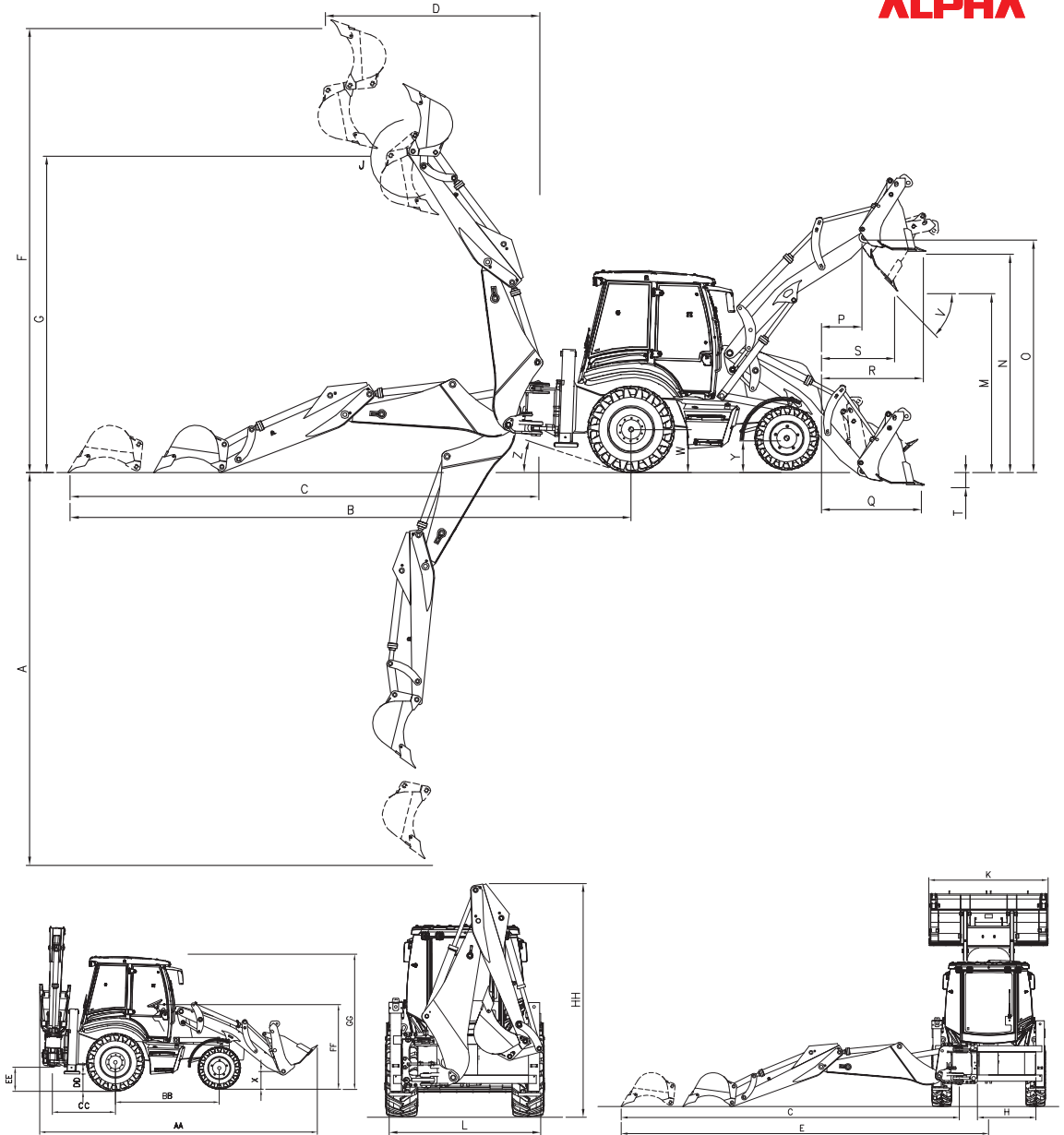
TIRES

	Standard	Optional
• Front Tires	16/70-20 (12 layers)	14,5-20 (12 layers)
• Rear Tires	16,9-28 (14 layers)	18,4-26 (12 layers)

GENERAL CHARACTERISTICS

		Extended Dipper	
		Fully Extended	Fully Retracted
A	-Maximum digging depth (mm)	5627	4409
B	-Ground level to rear wheel centre (mm)	8183	7033
C	-Ground level to slew centre (mm)	6845	5695
D	-Loading distance (mm)	3106	2259
E	-Distance to machine central line (mm)	7456	6307
F	-Operating height (mm)	6611	5730
G	-Max. loader height (mm)	4735.5	3854
H	-Total kingpost travel (mm)	1187	
J	-Bucket rotation (°)	187	
K	-Shovel Width (mm)	2440	
L	-Rear frame width (mm)	2292	
M	-Dump height (mm)	2613	
N	-Load over height (mm)	3233	
O	-Pin height (mm)	3461	
P	-Front arm pin – bumper distance (mm)	587	
Q	-Grab lug – bumper distance (mm)	1494	
R	-Max. reach at full height (mm)	1532	
S	-Unloading distance (mm)	1060	
T	-Digging depth (mm)	183	
U	-Roll back at ground (°)	38	
V	-Dump angle (°)	47,3	
Y	-Front wheel centre to the ground (mm)	548.5	
Z	-Departure angle (°)	24,5	
W	-Rear wheel centre to ground (mm)	705	
X	-Distance between pin centre and ground (mm)	250	
AA	-Total travel length (mm)	6049.6	
BB	-Axle centreline distance (mm)	2190	
CC	-Slew centre to rear axle centre distance (mm)	1336	
DD	-Stabilizer feet clearance (mm)	401.5	
EE	-Kingpost clearance (mm)	536.8	
FF	-Steering wheel centre height (mm)	2050	
GG	-Cab roof height (mm)	2950	
HH	-Total travel clearance (mm)	3593	

ALPHA



WARNING: HIDROMEK reserves the right to change the values given in this catalogue and designs indicated without prior notification.

ENGINE

Emission Class	Stage III - A / (Tier 3)	Stage III - B / (Tier 4i)
Brand, Model	PERKINS	PERKINS
Type	1104D - 44TA Diesel Engine	1204E - E44TA Diesel Engine
Number of Cylinders	4 in line	4 in line
Diameter x Stroke	Ø 105 x 127 mm	Ø 105 x 127 mm
Displacement	4.400 cc	4.400 cc
Max. Power	100 HP (74,5 kW) @2200 rpm	100 HP (74,5 kW) @2200 rpm
Max. Torque	410 Nm @1400 rpm	450 Nm @1400 rpm

- Starting kit for cold weather
- Self-cleaning chrome-plated turbo filter (optional)
- Diesel engine in which the latest technology is used, safe, requires a little maintenance, uses considerably low fuel, with high level of power and torque output, water-cooled, turbo-charged, intercooled

HYDRAULIC SYSTEM

- Simple, reliable and high-performance open type hydraulic system with gear pump of tandem type (standard)
- Closed type hydraulic system with variable displacement piston type pump, renewable flowsharing and valves with regeneration (Flowcharging) (Optional)

	Standard	Optional
Main Pump	2200 rpm	2200 rpm
Flow	90 L/min	163 L/min
Pressure	227 bar	227 bar
Auxiliary Pump	2200 rpm	
Flow	57 L/min	
Pressure	170 bar	

- Antishock and anti-cavitation valves
- In packages with gear pump, electric controlled "Unloader Valve" that unmounts the auxiliary pump and prevents unnecessary power consumption in driving on road or where the operator considers necessary
- Backhoe joysticks designed especially for operator not to be tired, requiring minimum power and installed ergonomically (Optional)
- Hyd. oil cooler ensuring problem free operation in a hot climate
- 10 micron oil filter

BRAKES

Service Brake	• Self-adjusting, multi-disc oil bath type, hydraulically actuated brakes are located in the rear axle and act on 4 wheels
Park Brake	• Hand-lever operated mechanical brake acts on the rear axle differential

WEIGHT

Standard Machine Operation Weight	9.550 kg	9.700 kg
-----------------------------------	----------	----------

TRANSMISSION

- Heavy-duty type automatic transmission
- 6 forward 3 reverse gear
- Electric controlled 2 wheel drive or 4 wheel drive selection
- Torque convertor with 2,38:1 stalling rate
- A neutral circuit allows starting only when the control lever is in neutral position for safety
- Transmission oil cooler
- Torque lock (Lock-up) (Optional)

FILLING CAPACITIES

Engine Oil Pump	8	8,8	L
Engine Cooling System	18,5	22	L
Fuel Tank	140	150	L
Hydraulic Oil Tank	70	70	L
Transmission Oil	16	16	L
Front Axle Differential	14	14	L
Front Axle Hub Reducers	1,7x2	1,7x2	L
Rear Axle Differential	16	16	L

LOADER PERFORMANCE

6-in-1 Bucket Capacity	1,1 m ³
Max. Bucket Breakout Force	7209 kgf
Max. Loading Arm Breakout Force	6515 kgf
Lifting Capacity To Maximum Height	3170 kgf
Maximum Lifting Capacity 7' 4" (2,23 m)	3992 kg
Maximum Lifting Capacity 7' 8" (2,33 m)	3923 kg

BACKHOE PERFORMANCE

	TB (Extended)	TB (Retracted)
Rear Bucket Capacity	0,17 m ³	0,17 m ³
Max. Bucket Breakout Force	6364 kgf	6364 kgf
Max. Dipper Arm Breakout Force	2026 kgf	2867 kgf

DRIVING SPEEDS

In 2200 rpm		
1 st Gear	6,1	km/h
2 nd Gear	9,8	km/h
3 rd Gear	13	km/h
4 th Gear	20,8	km/h
5 th Gear	26,3	km/h
6 th Gear	40	km/h

AXLES

- Heavy-duty-type
- Total 16° oscillation in the front axle
- Planetary (4 gear) outboard type reduction gears
- Equipped with differential lock on the rear axle

ELECTRIC SYSTEM

Voltage	12V
Battery	165 amperes/hour, heavy-duty type
Cranking Motor	3,2 kW
Alternator	85 Amp 100 Amp

STEERING

- Fully hydrostatic, load sensitive
- Soft-Touch steering wheel

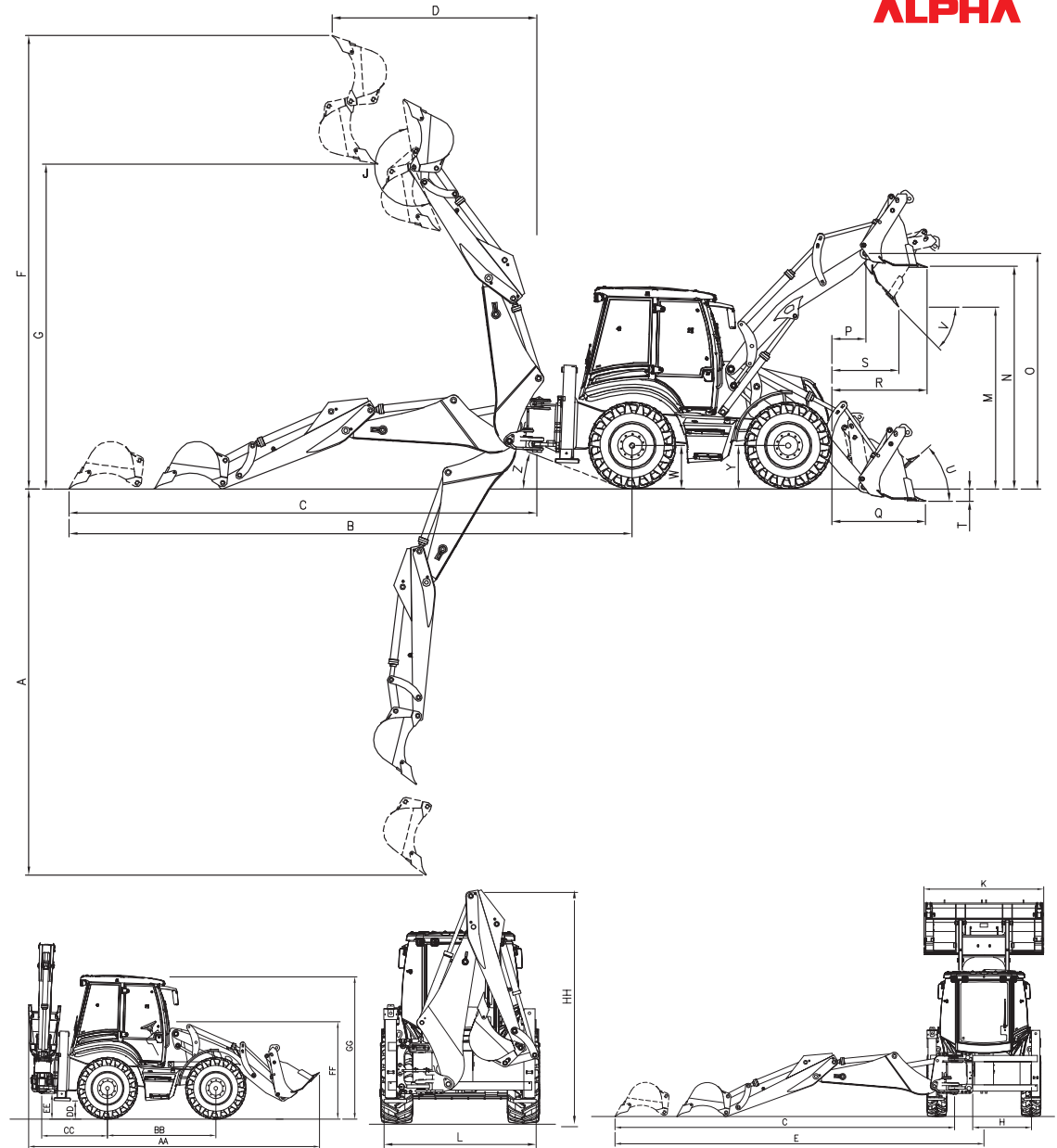
TIRES

Front / Rear Tires	16,9 – 28 (14 Ply rating)
--------------------	---------------------------

GENERAL CHARACTERISTICS

		Extended Dipper	
		Fully Extended	Fully Retracted
A	-Maximum digging depth (mm)	5703	4488
B	-Ground level to rear wheel centre (mm)	8244	7092
C	-Ground level to slew centre (mm)	6854	5703
D	-Loading distance (mm)	3087	2236
E	-Distance to machine central line (mm)	7452	6301
F	-Operating height (mm)	6552	5675
G	-Max. loader height (mm)	4679	3802
H	-Total kingpost travel (mm)	1187	
J	-Bucket rotation (°)	187	
K	-Shovel Width (mm)	2440	
L	-Rear frame width (mm)	2292	
M	-Dump height (mm)	2603	
N	-Load over height (mm)	3260	
O	-Pin height (mm)	3470	
P	-Front arm pin – bumper distance (mm)	480	
Q	-Grab lug – bumper distance (mm)	1463	
R	-Max. reach at full height (mm)	1458	
S	-Unloading distance (mm)	996	
T	-Digging depth (mm)	160	
U	-Roll back at ground (°)	43	
V	-Dump angle (°)	45	
Y	-Front wheel centre to the ground (mm)	650	
Z	-Departure angle (°)	20	
W	-Rear wheel centre to ground (mm)	625	
X	-Distance between pin centre and ground (mm)	250	
AA	-Total travel length (mm)	6090	
BB	-Axle centreline distance (mm)	2280	
CC	-Slew centre to rear axle centre distance (mm)	1395	
DD	-Stabilizer feet clearance (mm)	355	
EE	-Kingpost clearance (mm)	510	
FF	-Steering wheel centre height (mm)	2075	
GG	-Cab roof height (mm)	2985	
HH	-Total travel clearance (mm)	3600	

ALPHA

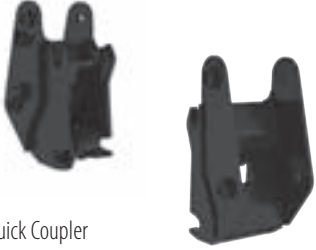



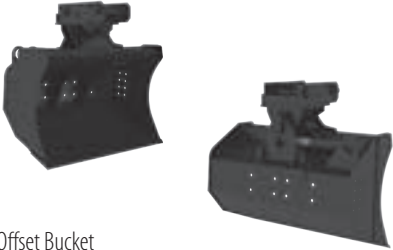



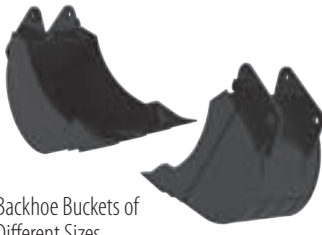


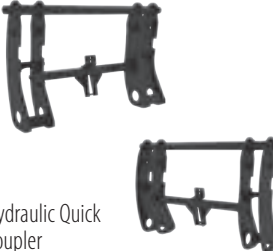
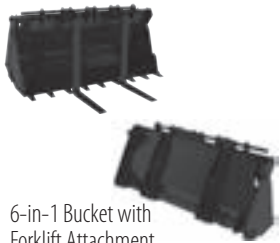



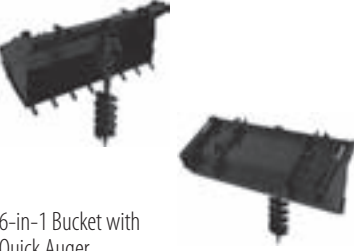

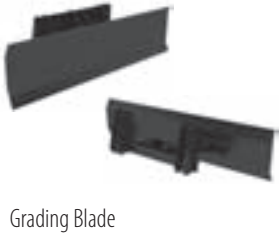



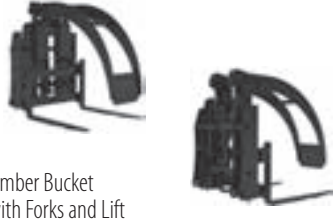
WARNING: HIDROMEK reserves the right to change the values given in this catalogue and designs indicated without prior notification.



OPTIONAL ATTACHMENTS

ALPHA

 <p>Quick Coupler</p>	 <p>Hydraulic Breaker</p>	 <p>Auger</p>	 <p>Finishing Bucket</p>	 <p>Offset Bucket</p>																																										
 <p>Clamshell Grap</p>	 <p>Ripper</p>	 <p>Trapezoid Ditch Bucket</p>	 <p>Backhoe Buckets of Different Sizes</p>	<table border="1"> <thead> <tr> <th rowspan="2">Bucket Width (mm)</th> <th colspan="2">Bucket Capacity SAE (m3)</th> <th rowspan="2">Empty Weight (+teeth) (kg)</th> <th rowspan="2">Number of Teeth</th> </tr> <tr> <th>Heaped</th> <th>Struck</th> </tr> </thead> <tbody> <tr> <td>350</td> <td>0.09</td> <td>0.081</td> <td>128.5</td> <td>3</td> </tr> <tr> <td>400</td> <td>0.10</td> <td>0.087</td> <td>141.5</td> <td>3</td> </tr> <tr> <td>500</td> <td>0.14</td> <td>0.112</td> <td>149.5</td> <td>3</td> </tr> <tr> <td>600</td> <td>0.17</td> <td>0.131</td> <td>167</td> <td>4</td> </tr> <tr> <td>700</td> <td>0.22</td> <td>0.165</td> <td>185</td> <td>4</td> </tr> <tr> <td>800</td> <td>0.26</td> <td>0.186</td> <td>200.5</td> <td>5</td> </tr> <tr> <td>900</td> <td>0.30</td> <td>0.211</td> <td>210.5</td> <td>5</td> </tr> </tbody> </table> <p>Backhoe Bucket Properties</p>	Bucket Width (mm)	Bucket Capacity SAE (m3)		Empty Weight (+teeth) (kg)	Number of Teeth	Heaped	Struck	350	0.09	0.081	128.5	3	400	0.10	0.087	141.5	3	500	0.14	0.112	149.5	3	600	0.17	0.131	167	4	700	0.22	0.165	185	4	800	0.26	0.186	200.5	5	900	0.30	0.211	210.5	5
Bucket Width (mm)	Bucket Capacity SAE (m3)		Empty Weight (+teeth) (kg)	Number of Teeth																																										
	Heaped	Struck																																												
350	0.09	0.081	128.5	3																																										
400	0.10	0.087	141.5	3																																										
500	0.14	0.112	149.5	3																																										
600	0.17	0.131	167	4																																										
700	0.22	0.165	185	4																																										
800	0.26	0.186	200.5	5																																										
900	0.30	0.211	210.5	5																																										

 <p>Hydraulic Quick Coupler</p>	 <p>6-in-1 Bucket with Forklift Attachment</p>	 <p>One Piece Bucket</p>	 <p>6-in-1 Bucket with Quick Coupler</p>	 <p>Forks Mounted on Quick Copuler</p>	 <p>6-in-1 Bucket with Quick Auger</p>
 <p>Tilting Grading Blade</p>	 <p>Grading Blade</p>	 <p>Timber Bucket with Propulsion</p>	 <p>Timber Bucket with 3 Clamps</p>	 <p>Timber Bucket with 5 Clamps</p>	 <p>Timber Bucket with Forks and Lift</p>

WARNING • Optional attachments and accessories standards offered with machines may vary depending on the countries. Consult your authorized seller for attachments and accessories.

NOT ONLY WITH OUR MACHINES, BUT ALSO WITH THE SERVICES WE PROVIDE, WE ARE DIFFERENT!



Expert Service

Our personnel who are experts in their subjects provide the opportunity of the highest quality and the fastest service with their high-end equipments.



Global Service Network

Hidromek that has global service network offers sale and service even in the various points of the world with hundreds of sale and service points abroad.



High Customer Satisfaction

A customer-oriented approach is adopted in all our operations in order to satisfy our customer at the highest level, add value their works and gain loyalty of them.



Hidromek West

Hidromek Rus

Hidromek Japan

Hidromek A.S.
(Head Office)

Hidromek Construction
Equipment (Thailand) Ltd.

- Hidromek Production Facilities
- Hidromek Overseas Dealers
- Hidromek Overseas Sales and Aftersales Services Points
- Countries Hidromek Machines Running

HIDROMEK®

HIDROMEK HEAD OFFICE

Address : Ahi Evran OSB Mahallesi Osmanlı Caddesi No:1
06935, Sincan - Ankara / TURKEY
Phone : +90 312 267 12 60 • **Fax:** +90 312 267 12 39
E-mail : ihracat@hidromek.com.tr

HIDROMEK WEST

Address : C/De La Maquina 14, Poligono Industrial El Regás,
08850 - Gavá BARCELONA/ SPAIN
Phone : +34 93 638 84 65 • **Fax :** +34 93 638 07 14
E-mail : info@hidromek.es

HIDROMEK RUS

Address : 72, Zhivopisnaya str., Building A, village
Oktyabrskiy, Krasnodar, 350032, RUSSIA
Phone : +7 861 290 3007
E-mail : info@hidromek.ru

HIDROMEK JAPAN

Address : 5-10, Hashimoto 6-chome, Midori-Ku,
Sagamihara, Kanagawa, 252-0143 JAPAN
Phone : +81 42 703 0261 • **Fax:** +81 42 703 0262

HIDROMEK THAILAND

Hidromek Construction Equipment Ltd.
Address : No: 700/669 Moo 1, T. Phanthong
A. Phanthong, Chonburi 20160, THAILAND
Phone : +66 38 447 349 • **Fax:** +66 38 447 355

www.hidromek.com

Your Local Distributor:

WARNING

HIDROMEK has the right to modify the specifications and design of the model indicated on this brochure without prior notice.